



IRISH ISLE STOVES

Superior quality stoves designed and manufactured in the west of Ireland



GASTEC
at CRE


guaranteed
with
world by the surface

QUALITY ASSURED SYSTEM
ISO
9001
114
BQAI



5 Year Guarantee



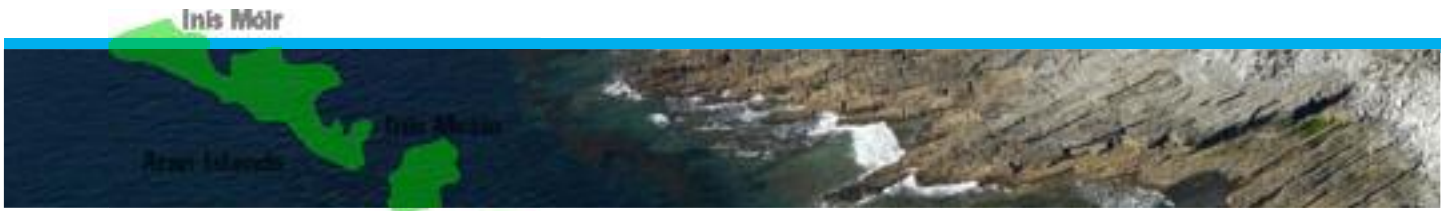
Our Commitment

All Irish Isle Stoves are designed and manufactured in Ireland. We manufacture from beginning to end in our factory in Galway. We are committed to keeping jobs in Ireland.

All our stoves are manufactured under ISO 9001 (Cert. 114)
We are guaranteed Irish.



Non-standard colours may take extra time as they are factory special ordered.



Inis Óirr

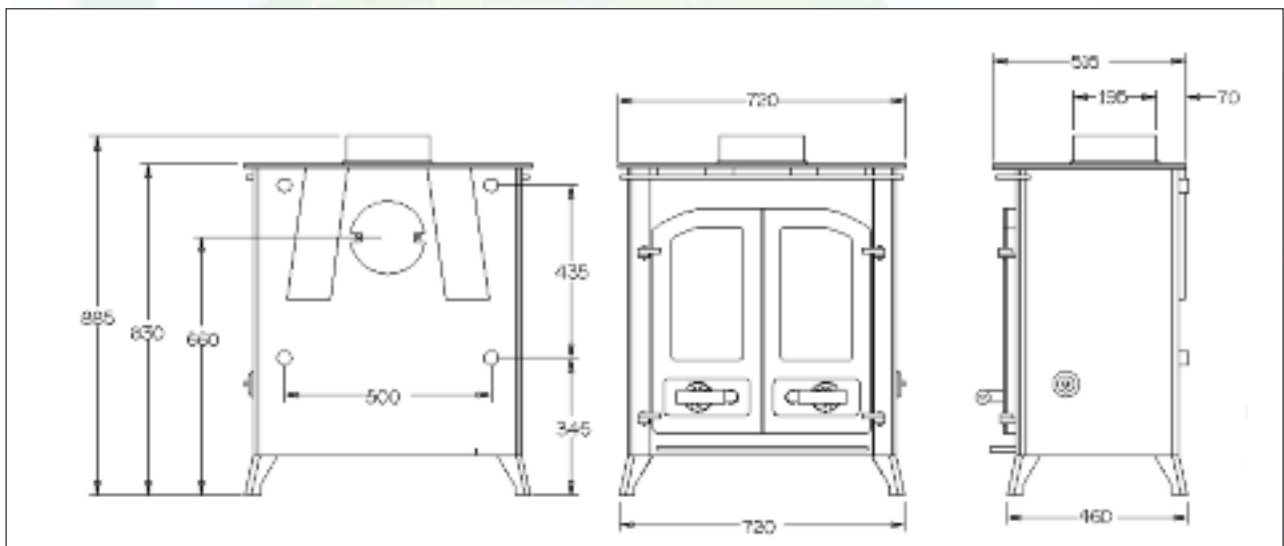
INIS MÓR

22Kw Boiler Stove



Our **InisMor** boiler stove is the largest stove of the Irish Isle stove range. It has an output up to 22Kw and is designed for the more demanding central heating applications and will heat your home for many years to come. This stove will heat up to 16 radiators depending on size and large amount of domestic hot water. This stove comes in a range of 3 standard colours and a range of non-standard colours. Our logo inspired by the ancient fort of Dún Aonghasa on InisMór and like Dun Aonghasa our stoves are built to last and will stand the test of time.

- Fully manufactured in Ireland.
- Output up to 22Kw (75,000 BTU's)
- Will heat up to 16 radiators and domestic hot water.
- 14Kw output to water and 8Kw to the room.
- Will heat a home up to 3000 sq Feet. (Room size 125 cu.Mtrs)
- Factory fitted fully integrated wrap heat exchanger.
- Overnight burning capability
- Safe External riddling system
- Large range of colours
- Easy to remove Ash pans.
- Heavy duty Multi-fuel grate.
- Fully controlled thermostatic damper for safety.
- Full access to spare parts from dealer.
- Up to 78% efficient.
- Full 5 year guarantee on boilers.





INIS MEAIN

15Kw Boiler Stove

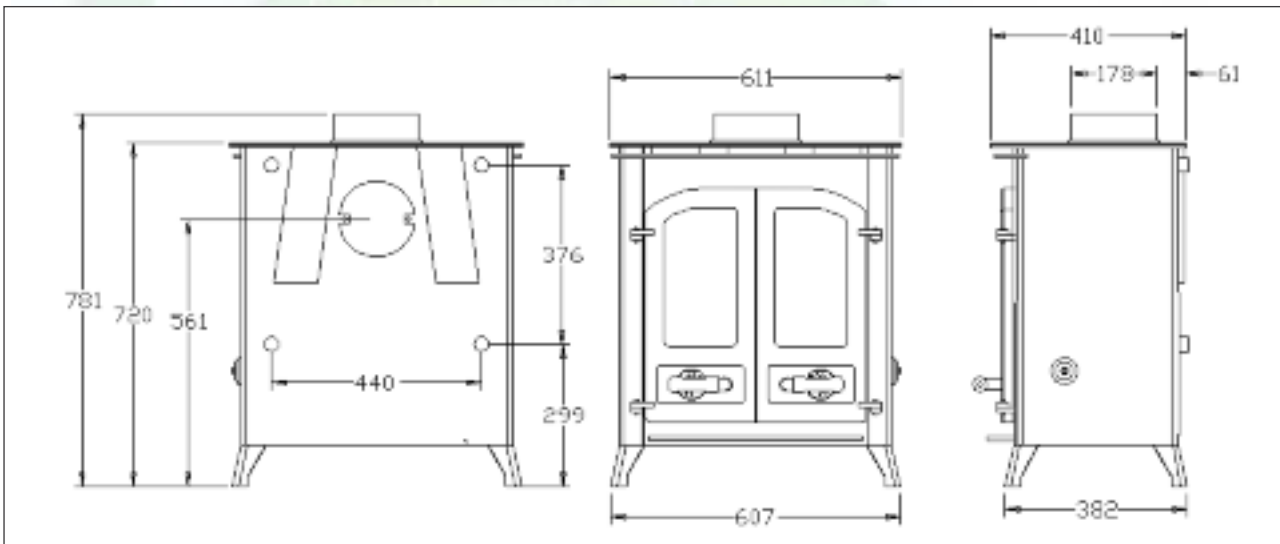


Features

- Fully manufactured in Ireland.
- Output up to 15Kw (51,000 BTU's)
- Will heat up to 10 radiators and domestic hot water.
- Output to water is 9Kw. Output to Room is 6Kw.
- Will heat a home up to 2500 sq Feet. (Room Size 95 cu.Mtrs)
- Factory fitted fully integrated wrap heat exchanger.
- Overnight burning capability
- Safe External riddling system
- Large range of colours
- East to remove Ash pans.
- Heavy duty Multi-fuel grate.
- Fully controlled thermostatic damper for safety.
- Full access to spare parts from dealer.
- Up to 77% efficient.
- Full 5 year guarantee on boilers.

Our **InisMeain** boiler stove is a very capable mid range stove. It has an output up to 15Kw and is designed to heat most medium sized homes. 9Kw is directed towards the water and 6kw is to the room. This stove will heat up to 10 radiators depending on size and enough domestic hot water to fill a large bath. This stove comes in a range of 3 standard colours and a range of non-standard colours. Our logo inspired by the ancient fort of Dún Aonghasa on InisMór and like Dun Aonghasa our stoves are built to last and will stand the test of time.

Also available as a 12Kw dry non boiler stove





INIS OIRR

10Kw Boiler Stove

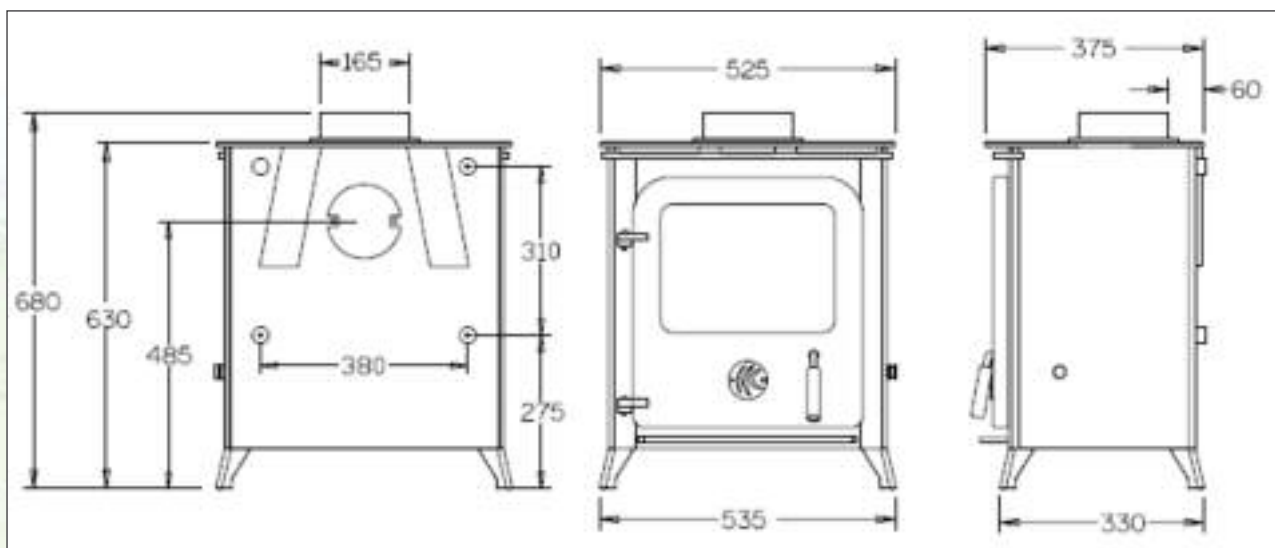


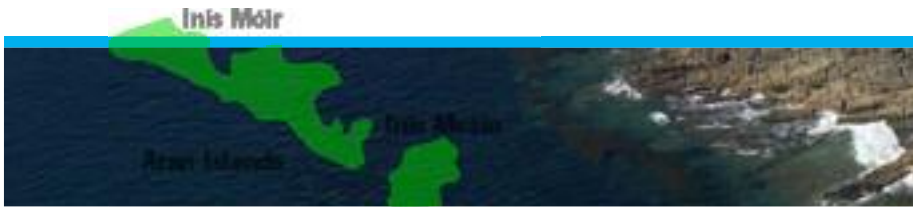
Our **InisOirr** boiler stove is the smaller yet very capable stove designed to heat the more compact home or to aid the heating of a larger style home. It has an output up to 10Kw and will heat your home for many years to come. This stove will heat up to 6 radiators depending on size and a large supply of domestic hot water. This stove comes in a range of 3 standard colours and a range of non-standard colours. Our logo inspired by the ancient fort of Dún Aonghasa on InisMór and like Dun Aonghasa our stoves are built to last and will stand the test of time.

Features

- Fully manufactured in Ireland.
- Output up to 10Kw (35,000 BTU's)
- Will heat up to 6 radiators and domestic hot water.
- Output to water is 6Kw and 4Kw to the room.
- Will heat a home up to 2000 sq Feet. (Room size 70 cu.Mtrs)
- Factory fitted fully integrated wrap heat exchanger.
- Overnight burning capability
- Safe External riddling system
- Large range of colours
- East to remove Ash pan.
- Heavy duty Multi-fuel grate.
- Fully controlled thermostatic damper for safety.
- Full access to spare parts from dealer.
- Up to 76% efficient.
- Full 5 year guarantee on boilers.

Also available as a 8Kw non boiler stove





CLODAGH

6.5Kw Heating Stove



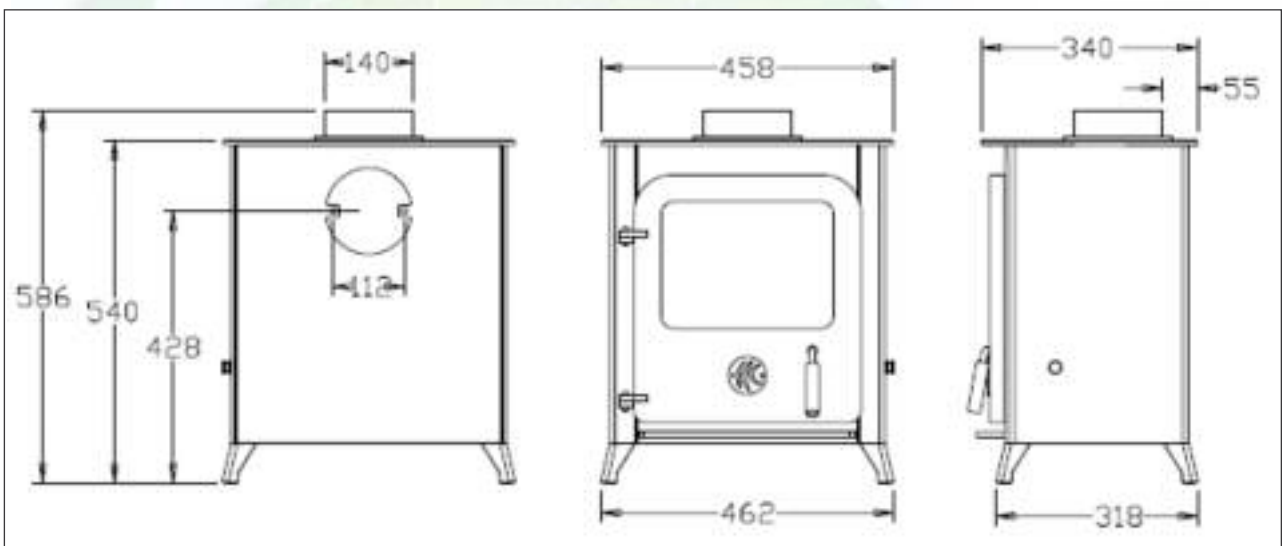
With its adjustable damper will give you even more control so that you get the very best efficiency from your stove. This little stove will heat a large room (6mtr x 6 mtr x 2.4mtr H) comfortably. Our unique adjustable air wash system built will keep the stove glass cleaner for longer giving you the unspoilt view just like an open fire.

Features

- Fully Irish made.
- Output up to 6.5Kw
- Multi-fuel grate for wood and smokeless coal.
- Large viewing glass.
- Safe External riddling system
- Range of colours
- Removable Ash pan.
- Capable of overnight burning.
- Precise Damper control
- Easy installation.
- Manufactured under ISO 9001 Cert No. 114

Our **Clodagh** room heating stove outputs up to 6.5Kw of radiant heat into your room. As it is now well known that your open fire allows for a lot of heat to escape up the chimney and creates a cold draughts, this little stove when installed into your room will seal that chimney, stop that draught and contain the heat in the room.

The "Clodagh" is designed to sit comfortably on most existing fireplace hearths and when used properly will dramatically reduce the amount of fuel you burn as compared with an open fire.





KAYLEY

6Kw Insert Stove



The **Kayley** insert stove will transform your open fireplace into an efficient heat source for your home. As it is now well known that your open fire allows for a lot of heat to escape up the chimney and creates a cold draughts, this insert will seal away that draught and contain the heat in the room.

Our insert with its convection air system takes in the cooler air in the room through the bottom vents, this rises as it is warmed by the fire in the stove and is pushed back into the room through vents in the top of the stove. This is a continuous process and provides a very efficient source of heat.

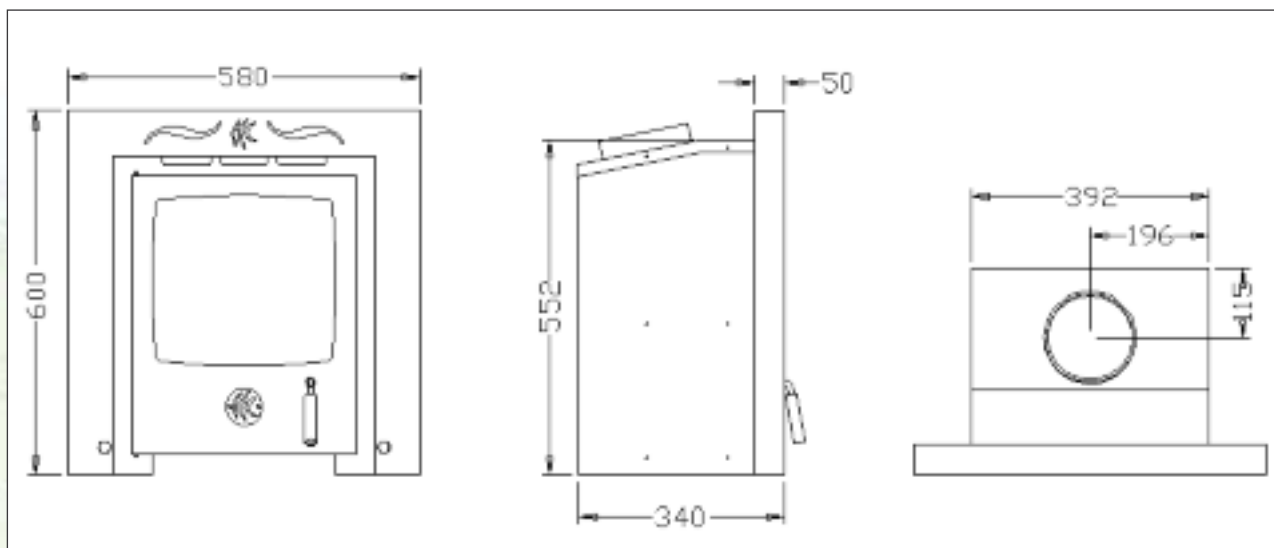
The “ Kayley “ when used properly will dramatically reduce the amount of fuel you burn as compared with an open fire and with its adjustable damper will give you even more control so that you get the very best efficiency from your stove.

Our unique adjustable air wash system built into the door will keep the stove glass cleaner for longer giving you the unspoilt view just like an open fire.

Features

- Fully Irish made.
- Fits into standard 16 and 18” fireplaces
- Multi-fuel grate for wood and smokeless coal.
- Up to 6Kw's heat output
- Safe External riddling system
- Range of colours
- Removable Ash pan.
- Capable of overnight burning.
- Adjustable damper
- Convection Air system
- Easy installation.
- 5” Flue Outlet.

*Although our insert is designed to fit a 16 and 18” fireplace we can custom make the outer apron to suit much larger openings to suit your needs.



Superior quality stoves designed and crafted in the west of Ireland.

Founded in the West of Ireland, AWP are a Galway based manufacturer of superior quality, highly efficient, multi fuel stoves. Our logo is inspired by the ancient fort of Dun Aonghasa on the western shores of Inis Mor, the largest of the Aran Islands. It has stood through the ages in the face of some of the most extreme conditions in Western Europe. Like Dun Aonghasa, our stoves are built to last and offer comfort and shelter from the cold. Our landscape and environment are precious to us and with this in mind we have engineered one of the most efficient multi-fuel stoves available on the market today. All our stoves are manufactured in Galway, Ireland to the ISO 9001-2000

Colours

We offer a range of 6 standard colours across all models.



AWP Engineering Ltd.
Unit 41, Ballybane Industrial Estate,
Galway, Ireland.

Contact: 00353 91 45 21 33
for your nearest dealer

Email: info@irishislestoves.ie
www.irishislestoves.com

